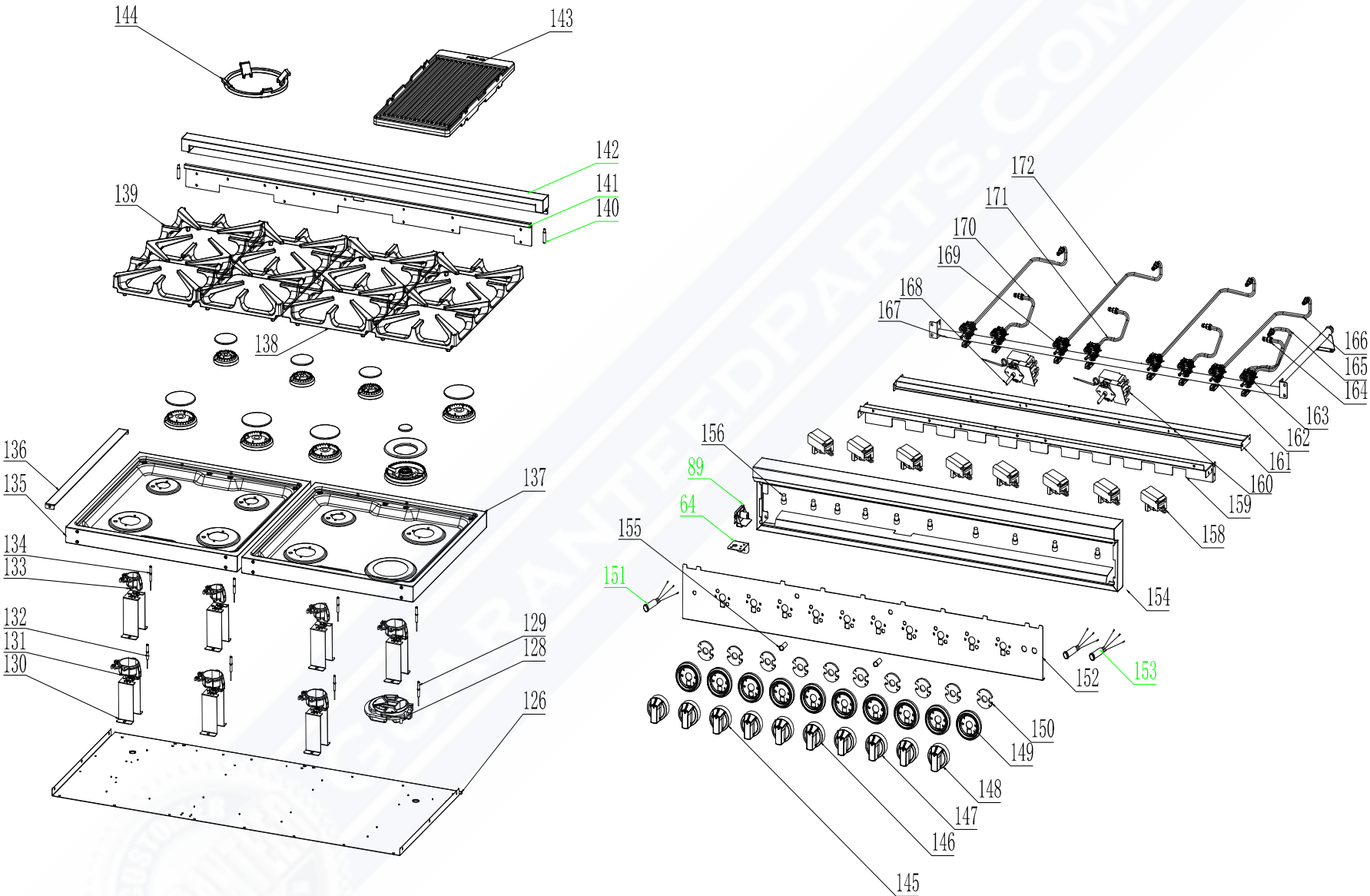
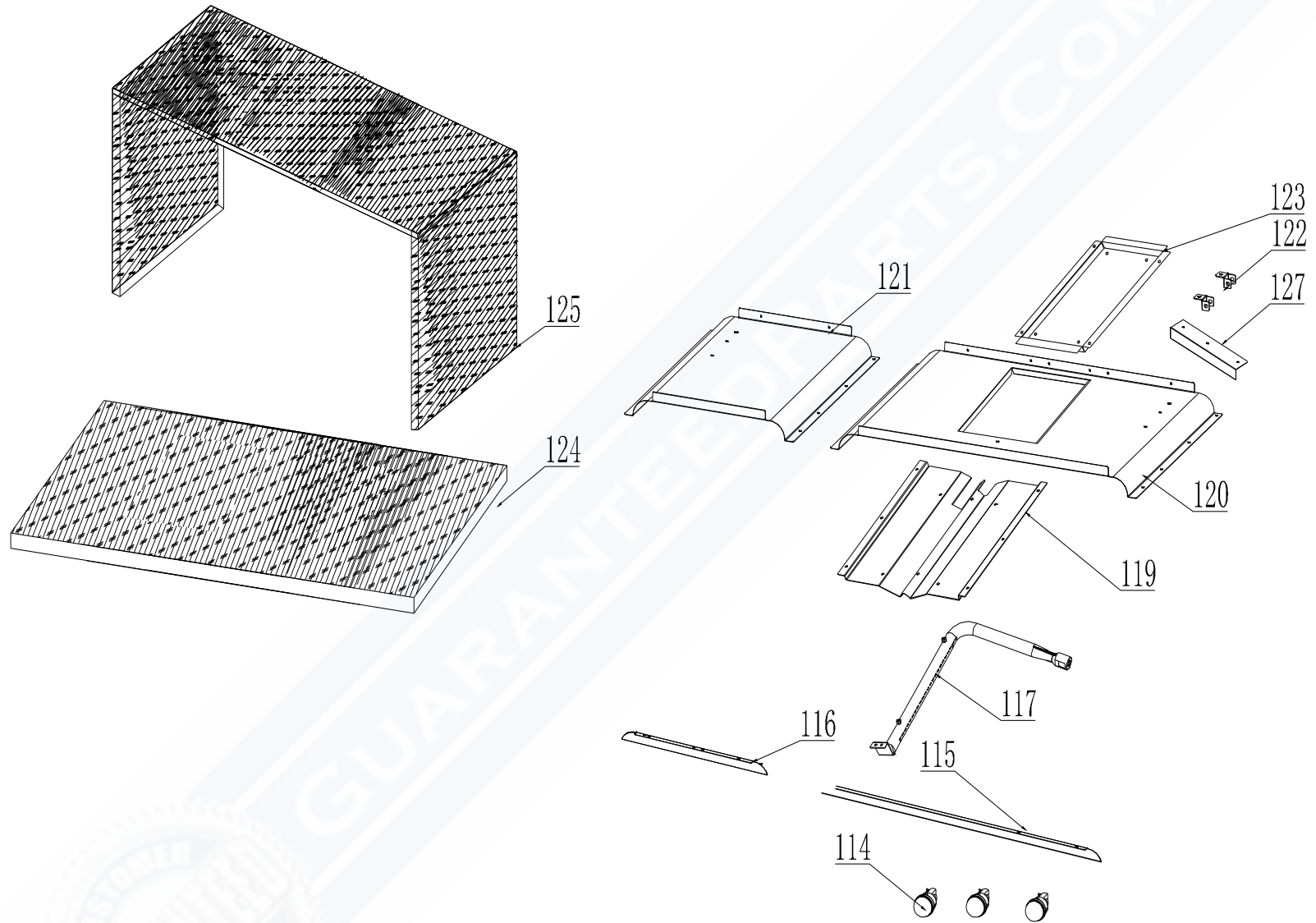


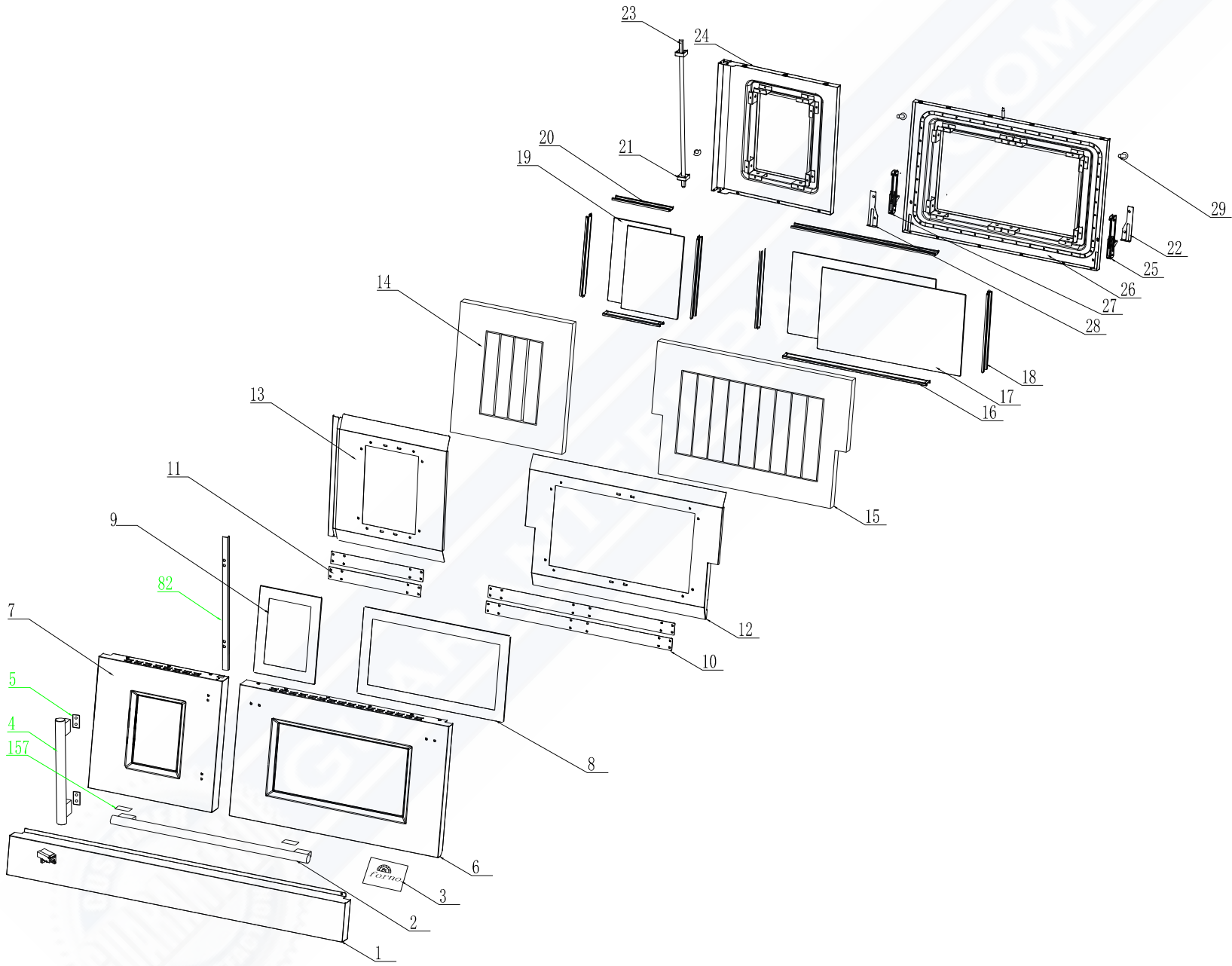
# cooktop



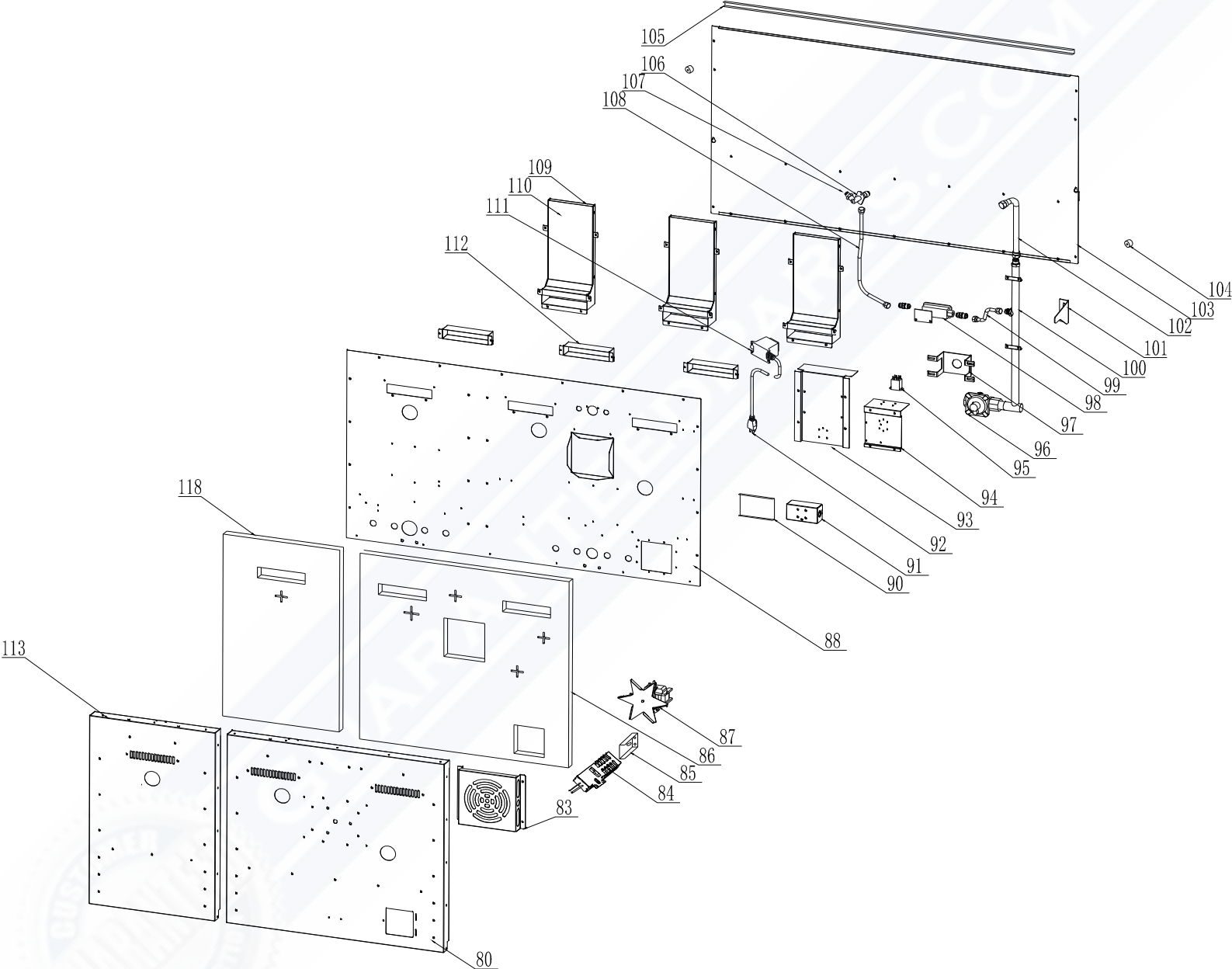
# cavity top



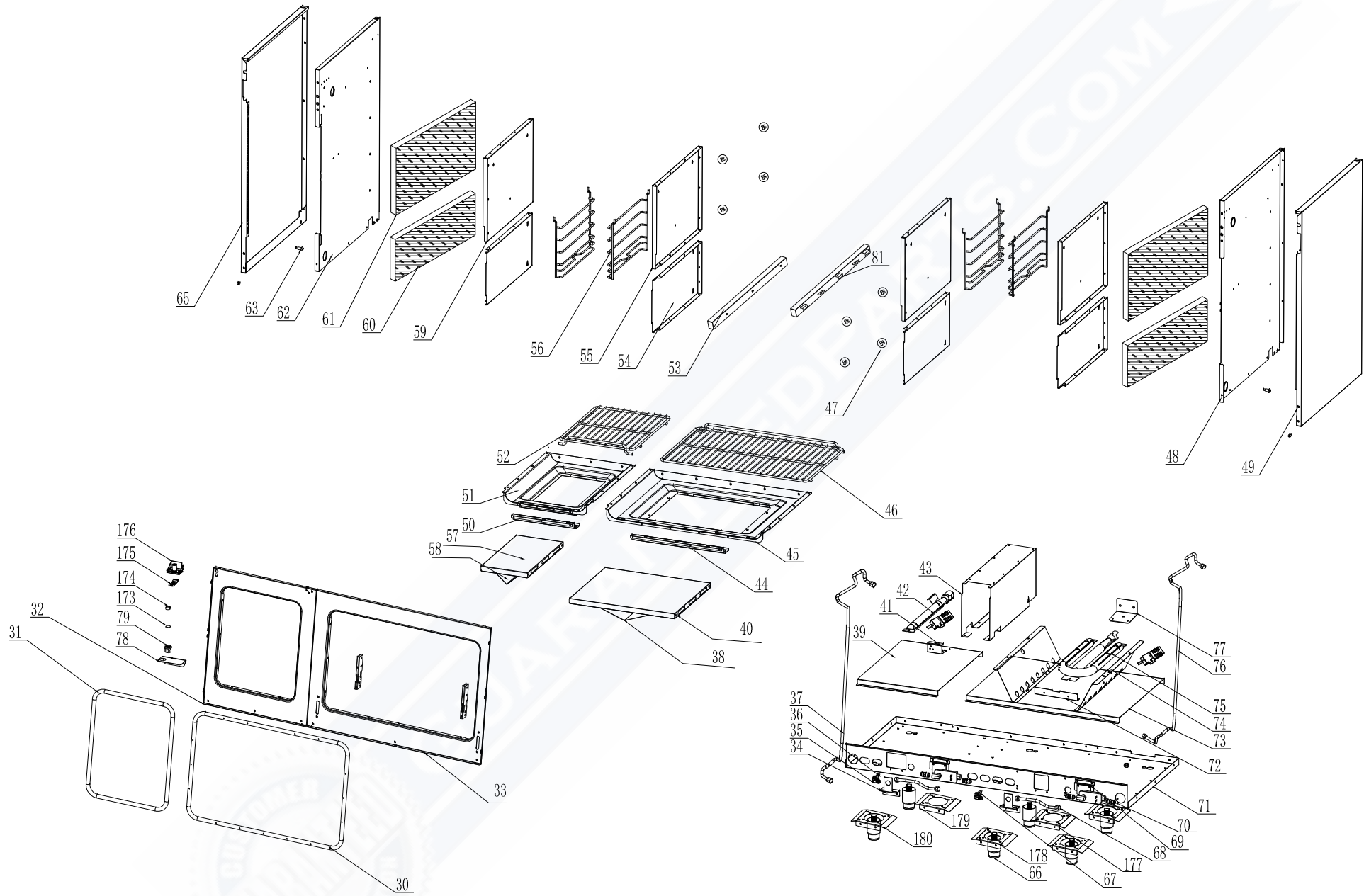
# door



# cavity back



# oven cavity



**FFSGS6439-48**

<b>No.</b>	<b>Part Name</b>	<b>Part o.</b>	<b>Qty.</b>
1	Drawer panel G48R44	G48R44-120100-Z	1
2	Handle G30R04	G30R04-101900	1
3	metal logo FFSGS6244-36	G36R03-020010	1
4	Handle left G18R43	G18R43-101900	1
5	handle rubber mat G18R43	G18R43-100700	2
6	door outside plate G48R03	G48R03-100401	1
7	door outside plate G18R43	G18R43-100401	1
8	door outer glass G30R03	G30R03-101100	1
9	door outer glass G18R03	G18R03-101100	1
10	door outer glass black pressing plate G30R03	G30R03-101400-02	2
11	door outer glass black pressing plate G18R03	G18R03-101400-02	2
12	door insulation plate G30X03	G30X03-101401	1
13	door insulation plate G18R43	G18R43-101400	1
14	glass wool for door G18R43	G18R43-103500	1
15	glass wool for door G30X03	G30X03-103500	1
16	up/down frame body for door inside glass	G30X03-101501	2
17	innder door glass G30R03	G30R03-100500	2
18	left/right frame body for door inside glass	G36X03-101601	4
19	innder door glass G18R03	G18R03-100500	2
20	up/down frame body for door inside glass G18X03	G18X03-101501	2
21	roast axis fixed mount G48R44	G48R44-002100	1
22	door strengthen part L G36X03	G36X03-101003	1
23	axis of rotation component	G18R43-110000-Z	1
24	Door frame G18R43	G18R43-100601-Z	1
25	door hinge L G30R03	G30R03-110000	1
26	Door frame G30R03	G30R03-100602-Z	1
27	door hinge R G30R03	G30R03-110010	1
28	door strengthen part R G36X03	G36X03-101002	1
29	Door rubber decoration cap		2
30	door seal bar G48R03	G48R03-071200	1
31	door seal bar G18R03	G18R03-071200	1
32	front panel G18R43	G18R43-070100-Z	1
33	front panel G48R03	G48R03-070100	1
34	oven burner nozzle mount support G36X03	G36X03-090700	2
35	oven burner nozzle mount G36X03	G36X03-021101	2
36	grill burner nozzle NG 1.7 G48X04	G48X04-021203	1
37	5/8" corrugated pipe 1500mm G20C01	G20C01-215305	1
38	oven burner reflect board G30X03	G30X03-080900	1
39	drawer insulation plate G18X03	G18X03-072100	1
40	down blue enameled tray G30R07	G30R07-210102	1
41	cavity streight burner G18X03	G18X03-080100	1
42	grill burner back fixed support G18X03	G18X03-080700	1

43	oven U type burner downside plate G48X03	G48X03-070400	1
44	cavity down strengthen part G30X03	G30X03-070000	1
45	cavity down blue enameled plate G30X03	G30X03-070704-Z	1
46	rack G30R05	G30R05-071902	2
47	side rack protect cover G36X03	G36X03-073900	16
48	right outside plate inside component	G36X03-071104-Z	1
49	right outside plate G36X01	G36X01-071001	1
50	cavity down strengthen part G18X03	G18X03-070000	1
51	cavity down blue enameled plate G18X03	G18X03-070704-Z	1
52	rack G18R05	G18R05-071902	2
53	slide rail L X01 series G36X01	G36X01-120700	4
54	cavity downside plate G36X03	G36X03-070400	2
55	cavity top right side blue enameled plate G36X04	G36X04-070508	2
56	side rack G36X01	G36X01-073800	4
57	down blue enameled tray G18R07	G18R07-210102	1
58	oven burner reflect board G18X03	G18X03-080900	1
59	cavity top left side blue enameled plate G36X04	G36X04-070509	2
60	cavity down left glass wool G36X03	G36X03-073000	5
61	cavity top left glass wool G36X03	G36X03-073300	5
62	left outside plate inside component G48R43	G18R43-071100-Z	1
63	screw for anti-tip step G36X03	G36X03-111000	1
64	rotated axis top support G48R43	G18R43-985600	1
65	left outside plate G48R44	G48R44-071000	1
66	oven leg G60R05	G60R05-071500	6
67	oven burner nozzle NG 2.20 G18X03	G18X03-021206	1
68	5/8" corrugated pipe 160mm G20C01	G20C01-215306	2
69	safety valve small support G36X03	G36X03-076500	2
70	safety valve gas inlet G36X03	G36X03-210500	6
71	bottom plate G48R43	G48R43-071800	1
72	U type burner downside support G36X03	G36X03-080600	1
73	drawer insulation plate G30X03	G30X03-072100	1
74	U type burner baffle plate G36X03	G36X03-200800	2
75	oven U type burner G36X03	G36X03-080100	1
76	5/8" corrugated pipe 870mm G20C01	G20C01-215311	1
77	U type burner back support G36X03	G36X03-080700	1
78	rotated axis bottom support G48R43	G48R43-985600	1
79	adjustable base G36R44	G36R44-002100	1
80	cavity blue enameled back plate G30X03	G30X03-070303	1
81	right slid rail X01 series G36X01	G36X01-120701	4
82	Handle strengthen bar G36R43	G36R43-100700	1
83	convection fan cover G36X03	G36X03-091701	1
84	oven cavity spark plug G36X03	G36X03-170300-1	3
85	grill burner spark plug support G36X03	G36X03-090600	1
86	cavity back plate glass wool G30X03	G30X03-072900	1

87	Convection fan G20A01	G20A01-091501	1
88	cavity back insulation plate G48R07	G48R07-072201	1
89	Door lock component G48R43	G48R43-111001	1
90	power cord terminal cover G36X03	G36X03-031300	1
91	power cord terminal G36X03	G36X03-200200	1
92	power cord #13 G20A13	G20A13-160100	1
93	ignition support G36X03	G36X03-212300	1
94	safety valve big support G36X03	G36X03-076600	1
95	relay G36X03	G36X03-190200	1
96	Regulator G48X03	G48X03-034000	1
97	pressure adjustable valve fixed support G48X03	G48X03-034500	1
98	safety valve G36X03	G36X03-035000-1	3
99	5/8" corrugated pipe 300mm G20C01	G20C01-215302	1
100	cavity back main gas pipe G48X03	G48X03-030801	1
101	anti-tip support G36X01	G36X01-212501	1
102	3/4" corrugated pipe 170mm G36X03	G36X03-215300	1
103	baffle plate G48X03	G48X03-072001	1
104	anti-wall rubber mat G36X03	G36X03-212600	2
105	baffle plate strengthen part G48X03	G48X03-072300	1
106	grill burner nozzle mount G36X03	G36X03-021100	1
107	Nozzle 1.38 G36X03	G36X03-021205	1
108	5/8" corrugated pipe 550mm G20C01	G20C01-215310	1
109	chimney outer plate G36R03	G36R03-074200	3
110	chimney inside plate G36R03	G36R03-074100	3
111	LED light transformer G36R04	G36R04-180305	1
112	smoke outlet component G36X03	G36X03-075000-Z	3
113	cavity blue enameled back plate G18X03	G18X03-070301	1
114	lamp G36X03	G36X03-180100	3
115	front panel strip G30X03	G30X03-214500	1
116	front panel strip G18X03	G18X03-214500	1
117	grill burner G36X03	G36X03-090100	1
118	cavity back plate glass wool G18X03	G18X03-072900	1
119	grill burner reflect board G36X03	G36X03-090300	1
120	cavity top plate G30X03	G30X03-070600-Z	1
121	cavity top plate G18X03	G18X03-070600-Z	1
122	thermo-sensor fixed part G36X03	G36X03-031100	4
123	grill burner cover G36X03	G36X03-071600	1
124	glass wool for cavity top plate G48X03	G48X03-036000	1
125	glass wool for cavity body G48X03	G48X03-070800	1
126	cavity insulation plate G48R03	G48R03-074500-Z	1
127	thermo-sensor baffle piece	G36R43-031100	1
128	20,000BTU brass burner assembly	G36R03-040300	1
128	20,000btu burner cup	G36R03-040301	1
128	20,000BTU brass burner base	G36R03-040302	1



128	20,000btu inner burner cap	G36R03-040203	1
128	20,000btu outer burner cap	G36R03-040204	1
129	top burner spark plug 700mm G36R04	G36R04-170501	1
130	top burner support G36R03	G36R03-170600	7
131	15,000btu burner assembly	G36R03-040100	4
131	15,000btu burner cup	G36R03-040101	4
131	15,000btu burner base	G36R03-040102	4
132	15,000btu burner cap	G36R03-040103	4
132	top burner spark plug 660mm G36R03	G36R03-170501	3
133	9,000btu burner assembly	G36R03-040000	3
133	9,000btu burner cup	G36R03-040001	3
133	9,000btu burner base	G36R03-040002	3
133	9,000btu burner cap	G36R03-040003	3
134	top burner spark plug 380mm G36R03	G36R03-170500	4
135	cooktop plate 12"-1 G24R03	G24R03-020100	1
136	cooktop plate decoration strip G48R04	G48R04-025000	1
137	cooktop plate G48R03	G48R03-020100	1
138	cast iron grates G48R04	G48R04-021400	1
139	cast iron grates G36R04	G36R04-021400	3
140	backsplash bolt G36X03	G36X03-110800	2
141	cooktop back connection plate G48R04	G48R04-073600	1
142	backsplash board G48R04	G48R04-011500-Z	1
143	griddle G36R03	G36R03-021400	2
144	pan support G48R03	G48R03-021400	1
145	knob for thermostat 1to 2	G36R04-030103	1
146	knob for thermostat 1to 1	G36R04-030102	1
147	knob for single gas outlet	G36R04-030100	7
148	knob for double gas outlets	G36R04-030101	1
149	knob ring G36R04	G36R04-030200	10
150	knob shining PCB	G36R04-031000	10
151	Round press button G36R45	G36R45-170200	1
152	Control panel component G48R45	G48R44-030301	1
153	Round press button G36R43	G36R43-170200	3
154	control panel body component G48R44	G48R44-032300-Z	1
155	red indicator G36X03	G36X03-031000-7	2
156	red LED light G36X04	G36X04-031000-7	10
157	handle rubber mat G36R03	G36R03-100700	2
158	Ignition G36R03	G36R03-170101	8
159	cooktop front support G48R03	G48R03-022100	1
160	digital thermostat KKXT-18-48 G36X03	G36X03-030900-1	1
161	cooktop back support G48X04	G48R04-022000	1
162	Cooktop valve 0.68 G48R07	G48R07-030403	4
163	Cooktop valve 0.68+0.27 C36R04	C36R04-030400	1
164	36" R/F main Al. pipe G36R03	G36R03-020500	1

165	36" R/F support Al. pipe G36R03	G36R03-020600	1
166	R/R Al.pipe G36R03	G36R03-020400	2
167	control panel main gas pipe G48R04	G48R04-030700	1
168	digital thermostat KKXT-17-48 G48X03	G48X03-030900-1	1
169	Cooktop valve 0.62 G48R07	G48R07-030401	3
170	48"L/F Al.pipe G48R05	G48R05-020700	1
171	48"M/F Al. pipe G48R05	G48R05-020300	2
172	48"R/M/R Al. pipe G48R05	G48R05-020400	2
173	cushion G36R43	G36R43-002300	1
174	rotate axis coat G48R43	G48R43-002200	1
175	door lock baffle plate component G48R43	G18R43-003400-Z	1
176	Door lock component G48R43	G48R43-111000	1
177	back middle foot fixed part	G48R04-071812	1
178	front middle foot fixed part	G48R04-071814	1
179	back left/right foot fixed part	G48R04-071811	2
180	front left/right foot fixed part	G48R04-071813	2
	48" wires for LED light-R04	G48R04-180302	1
	straight fixed part for door outer glass	G36R03-101300	4
	L shape fixed part for door outer glass	G36R03-101200	8
	cooktop front sub support	G36X03-022200	1
	bottom plate heat insulation cover	G36X01-091800	1
	plastic wire hook	G36R03-160200	3
	plastic rivet G36R03	G36R03-232902	20
	spark plug clamp	G20A01-170600	7
	LP 20,000BTU burner center nozzle 0.46	G20A01-021235	1
	LP 20,000BTU burner outer nozzle 0.9	G20A01-021203	2
	LP 9,000BTU burner nozzle 0.93	G20A01-021222	3
	LP broil nozzle 0.94	G20A01-021236	1
	LP 15,000BTU nozzle 1.18	G20A01-021237	4
	LP oven burner nozzle 1.39	G18X03-021207	1
	LP 18" oven burner nozzle 1.12	G48X04-021209	1
	drawer fixed plate G30R45	G30R45-120200	2